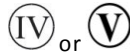


Country of Origin : China  
 Operating Temperature : 0 ~ 40 [°C]  
 Dimension : 86.8 x 47.3 x 32.3 [mm]  
 Suitable AC cable : IEC320-C13

Approvals / Marks :



Efficiency level (ErP) :



Certified also for : A.V. application

**GREEN MODE**



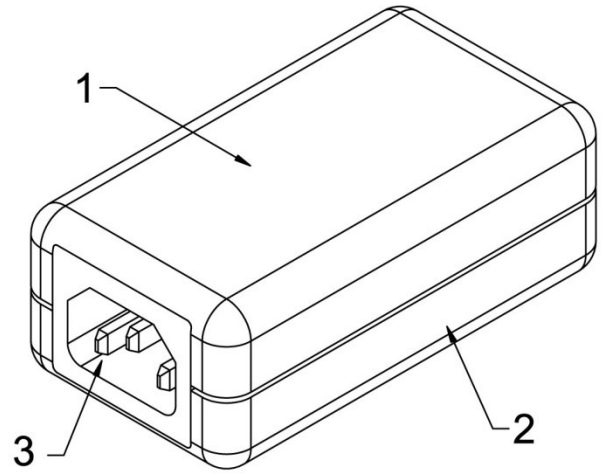
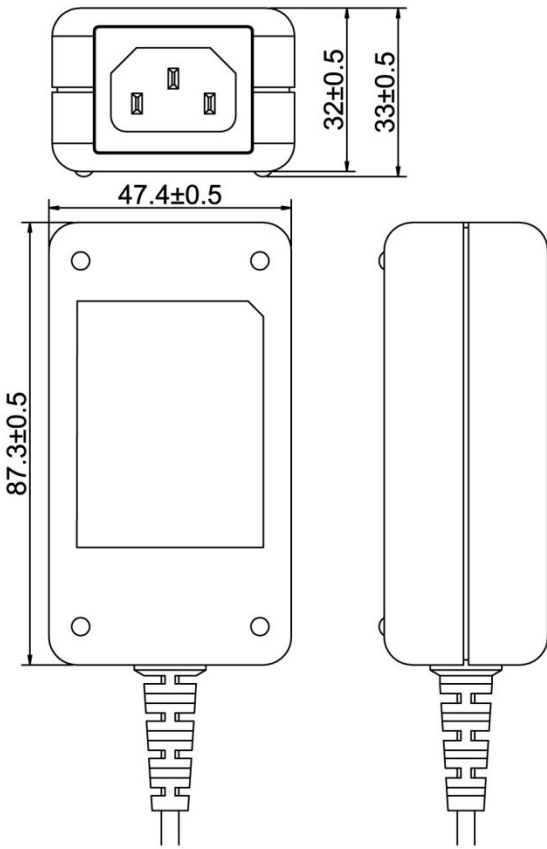
### Features:

Wide range Input (90 ~ 264)VAC / (47 ~ 63) Hz.	For I.T.E. use only + RoHS conform.
Over load, over voltage & short protection.	Designed and certified also for cable IEC320-C7 & inlet C8 (T2).
Output connector: standard: 2.1 x 5.5 x 11mm or customer requirement.	

### Specification:

		OUTPUT								
	Model	Voltage DC [V]	Loading [A]	Tol. [%]	OCP [A]	OVP [V] max	Efficiency [%]	Max. Power [W]	Ripple & Noise [mV]p-p	Connector UL approved [mm]
<b>ErP IV.</b>	<b>SYS1319-2709-T3</b>	<b>9</b>	<b>0~3.00</b>	<b>±5</b>	<b>3.5~6.5</b>	<b>16</b>	<b>-</b>	<b>27</b>	<b>90</b>	<b>2.1x5.5x11</b>
<b>ErP V.</b>	<b>SYS1319-3012-T3</b>	<b>12</b>	<b>0~2.50</b>	<b>±5</b>	<b>3.0~8.0</b>	<b>16</b>	<b>&gt;83.5</b>	<b>30</b>	<b>120</b>	<b>2.1x5.5x11</b>
	<b>SYS1319-3015-T3</b>	<b>15</b>	<b>0~2.00</b>	<b>±5</b>	<b>2.5~6.5</b>	<b>25</b>	<b>&gt;80.6</b>	<b>30</b>	<b>150</b>	<b>2.1x5.5x11</b>
	<b>SYS1319-3018-T3</b>	<b>18</b>	<b>0~1.66</b>	<b>±5</b>	<b>2.0~5.5</b>	<b>25</b>	<b>&gt;87.0</b>	<b>30</b>	<b>180</b>	<b>2.1x5.5x11</b>
	<b>SYS1319-3024-T3</b>	<b>24</b>	<b>0~1.25</b>	<b>±5</b>	<b>1.5~5.5</b>	<b>25</b>	<b>&gt;84.0</b>	<b>30</b>	<b>240</b>	<b>2.1x5.5x11</b>
<b>OEM Production</b>	This model is certified for Uout=(5,6,9,12,15,16,18,19,20,24)V and Pout=(5~30)W is rising in steps of 1W									
<b>INPUT</b>	Voltage	(90 ~ 264) VAC								
	Frequency	(47 ~ 63) Hz								
	Current	1A rms@ AC low line input and DC output full load								
	Surge Current max.	40/60Amax. @ power supply cold start, ambient temperature 25°C @115Vac/230Vac nominal AC input.								
	Leakage current	3.5mA Max.								
<b>PROTECTION</b>	Over load	OCP	> 120% Fold back							
	Over Voltage	OVP	>105% Voltage limiting							
	Short Circuit	Yes, Output to Ground, Auto recovery when fault has been removed. Short Current & Over Current can not exceed 8A max. after 1minute at nominal line input.								
	Protection class	II.								
	No Load Operation	Yes, to protect the power supply and system from damage								
<b>OTHERS</b>	Dielectric Strength	I/P-O/P (FG): 3KVAC / 10mA / 1 min								
	Power ON Led	Yes								
	Turn on delay	5000ms max. @ AC low line input @ output full load								
	Hold-up Time	10ms @ AC nominal Input and Output full load								
	MTBF Qualification	50K hours full rated load operation at 25°C, according to the MIL-HDBK-217F.								
	DC cable & connector	Standard length of the cable 1.8m & It depends on customer requirements and upon specifications								
	Efficiency (typical)	>83.5% @ 240VAC input & Full load								
	Power Consumption	Max. 0.3Wrms @ AC nominal Input and Output min. load   some models have achieved efficiency level IV.								
	Input Fuse	250VAC / 1.6A protected against power line surges and any abnormal conditions								
<b>ENVIRONMENT</b>	Temperature	Operating: (0 ~ 40)°C / Storage: (-20 ~ 85)°C								
	Humidity	Operating: (8 ~ 90)%RH / Storage: (5 ~ 95)%RH non condensing								
<b>SAFETY</b>	CE   TUV/GS   CB   UL   cUL   C-TICK   SAA   PSE   BSMI   KC   T-License   CCC									
<b>EMC</b>	EMI	EN 55022 Class B (2006)+A1(2007)   EN 61000-3-2 (2006) + A1(2009) + A2 Class A(2009)/EN 61000-3-3 (2008)								
	EMS	EN55024(1998)+A1(2001)+A2(2003)   IEC 61000-4-2 (2008)   IEC 61000-4-3 (2006) + A1(2007) + A2(2010)   IEC 61000-4-4 (2004) + A1(2010)   IEC 61000-4-5 (2005)   IEC 61000-4-6 (2008)   IEC 61000-4-8 (2009)   IEC 61000-4-11 (2004)								
<b>WEIGHT</b>	1pc	N.W.: 200g / pc								
<b>PACKING</b>	Box	0.48 x 0.26 x 0.44 [m]								
		60 pcs / 1box G.W.: 15kg / box								

**Mechanical case specification:**



- 3 socket
- 2 BOTTOM
- 1 TOP

**Cable specification:**

1185#18\*1C + shield / 6FT (1830mm)

